

N^o 22,803



A.D. 1906

Date of Application, 15th Oct., 1906—Accepted, 18th Apr., 1907

COMPLETE SPECIFICATION.

“Improvements in or relating to Folding “Beach-baskets”
or Outdoor Seats”

We, THEODOR KRECH, Architect, and SAMUEL ZWALINA, Gentleman, both of Villa Jahnsberg, Meiningen, Germany, do hereby declare the nature of this invention and in what manner the same is to be performed, to be particularly described and ascertained in and by the following statement:—

6 Arranging the cover, table plates, seats, foot rests and the like of “beach-baskets” for the purpose of enabling them to be conveniently folded is well known. Nor is it now novel to make such beach baskets of wooden frames covered with a fabric.

10 The “beach-basket” according to this invention differs from these well known folding “beach-baskets” by the fact that, in addition to the cover, the lateral walls and the seat of the basket are arranged so that they can fold onto the back, whilst the table plates are arranged so as to fold on its lateral walls, about the arm-supports which, as well as the foot-rest supports, can be turned to the lateral walls, in order to enable the whole beach-basket to be folded flat on its back.

15 A construction of a “beach-basket” according to this invention, is illustrated in Figure 1 of the accompanying drawings in front elevation, in position for use. Figure 2 is a vertical section on the line A—B of Figure 1, and Figure 3 shows it folded.

20 Figures 4, 5 and 6 are respectively sections on lines C—D, E—F and G—H. of Figure 2.

The back wall 1 is provided with corner posts or pillars 2 on which lateral walls 3 are mounted by means of hinges 4. The seat 5 and the cover 6 are mounted on the back wall 1 by means of hinges 7 and 8.

25 The seat 5 rests on ledges 9 secured to the lateral walls 3, and is held fast on the said ledges by means of pins 10. In the same way the cover 6 resting on stops 11, keeps the lateral walls 3 at a proper distance apart by means of pins 27.

30 The upholstered arm-support 12 is pivoted about a pin 13 mounted in the lateral wall 3, and rests on a projection or stop 14 whilst the little table 15 is mounted on the extended arm-support by means of hinges 20 (Figure 6). The foot-board 16 is placed loose on levers 18 pivoted about a pin 17, and pins 19 prevent it from moving horizontally.

If it be desired to fold the beach-basket, then the foot-board 16 placed loose on the levers 18, must be suspended on the back wall 1, as shown dotted in Figure 2, and the levers 18 brought into the dotted position in which they are held by 35 pins 21. The seat 5 is folded against the back wall 1, the table 15 is first brought into vertical position and then, together with the arm support 12, into the position shown dotted, and secured to the lateral wall 3 by means of the pin 22.

40 In order to enable the cover 6 to be folded down, the parts 23 (Figure 5) projecting over the lateral walls 3, can be folded about the pivot points of the joints or hinges 24 into the position shown dotted. Then the lateral walls 3 are slightly spread out so that the cover 6 (Figures 2 and 5) can pass the stops 11 and be folded against the wall 1. If the lateral walls 3 are folded against the back wall 1 (Figure 3), then the beach-basket forms merely a flat, easily portable

[Price 8d.]

Improvements in or relating to Folding "Beach-baskets" or Outdoor Seats.

article, occupying very little space. The lock 25 which holds together the chains 26, prevents unauthorised use of the beach-basket.

The back wall and the lateral walls of the folding beach-basket, as well as the cover and the seat of the same, may be made of reed-, cane-, wood- or similar plaiting, the connection between the back wall and the lateral walls, cover and seat being effected by means of wooden ledges secured to the back wall, and the connection between the latter and the lateral walls, as well as the cover, being made a jointed one, by the end bars, surrounded by the plaiting and provided with extended pins, being made pivoted in the same. The levers 18 supporting the foot-board 16, can be mounted on the lateral walls by means of hinges and folded up against the lateral walls by means of bending rods. 5 10

Having now particularly described and ascertained the nature of our said invention and in what manner the same is to be performed, we declare that what we claim is—

1. A folding "beach-basket" consisting of a wooden frame covered with a fabric, provided with a cover hinged to the back wall and a folding seat, table and foot-supports, characterised by the fact that, in addition to the cover, also the lateral walls and the seat of the "beach basket" are arranged so that they can fold against its back wall, and the table plates, hinged on the arm supports, against the lateral walls, whilst the arm supports as well as the foot-plate supports can be turned on the lateral walls, in order to enable the complete "beach-basket" to be folded flat on its back wall. 15 20

2. A folding "beach-basket" as set forth in Claim 1, characterised by corner posts or pillars being arranged at the lateral edges of the back wall of the "beach-basket", the lateral walls of the same being pivoted about the said corner posts. 25

3. The complete "beach-basket" substantially as described with reference to the accompanying drawings.

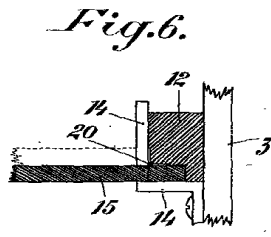
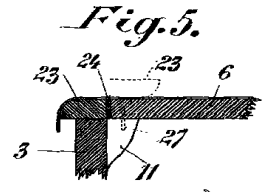
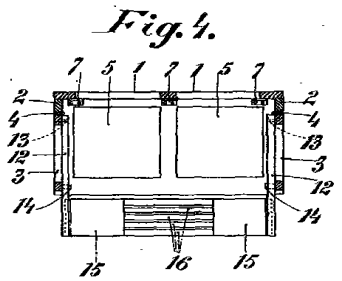
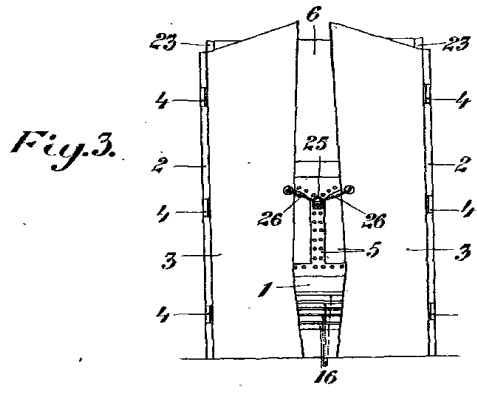
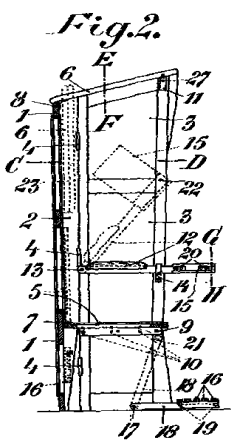
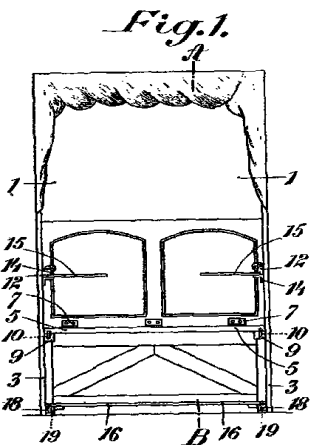
Dated this 15th day of October, 1906.

BOULT, WADE & TENNANT,
Agents for the Applicant

30

SHEET 1.

SHEET 2.



[This Drawing is a reproduction of the Original on a reduced scale.]

Fig.1.

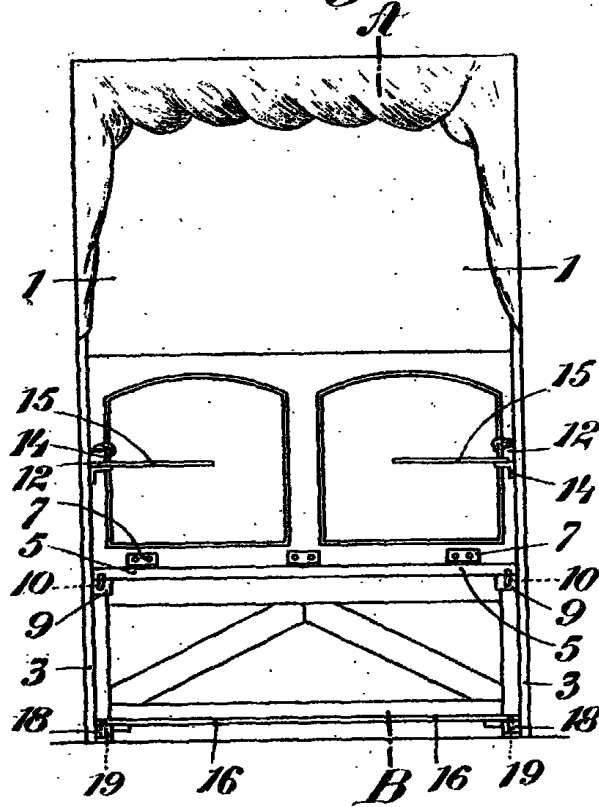


Fig.2.

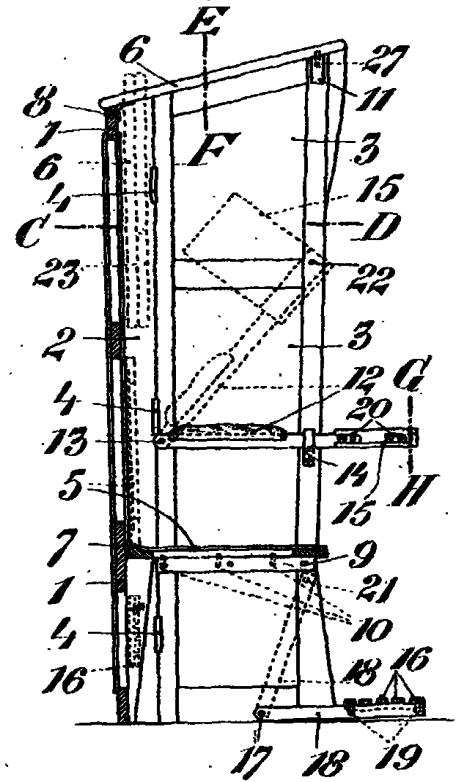
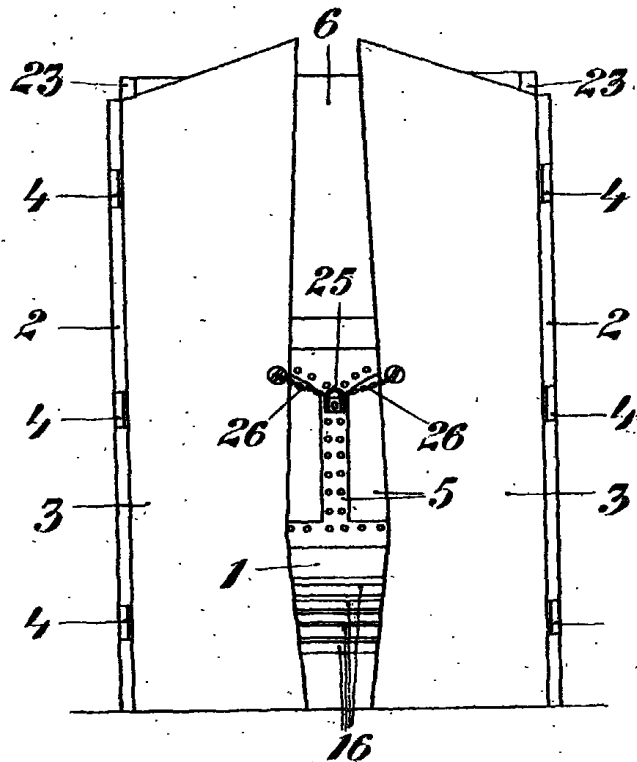


Fig.3.



[This Drawing is a reproduction of the Original on a reduced scale.]

Fig. 4.

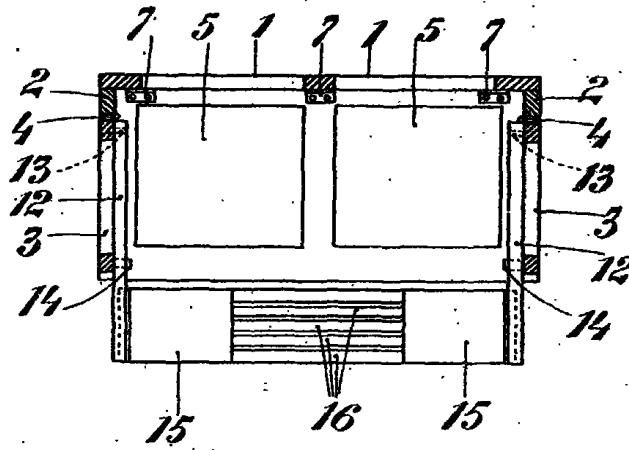


Fig. 5.

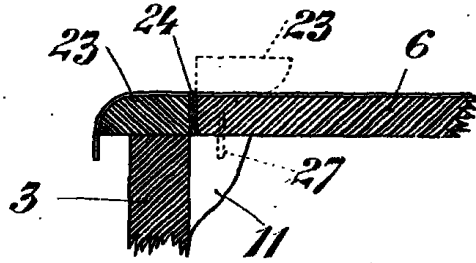


Fig. 6.

